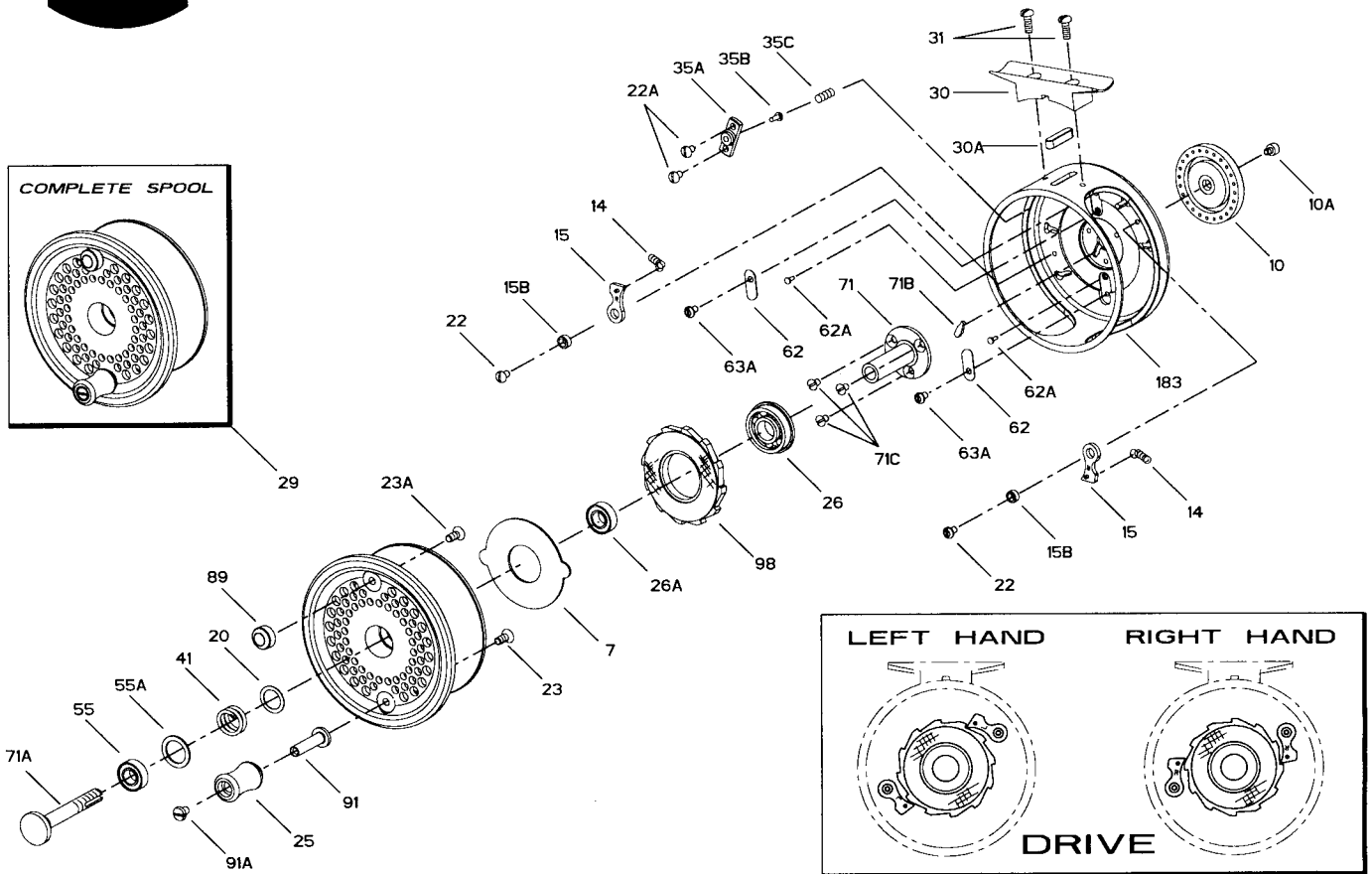




PARTS AND PRICE LIST FOR MODELS 1.5, 1.5G, 2.5, 2.5G, 4 AND 4G



Key No.	Part No.	Description	Price	Key No.	Part No.	Description	Price
7	7-1.5FR	Metal Drag Washer	\$3.50	35B	35B-2.5FR	Click Pin	.75
	7-2.5FR	Metal Drag Washer	4.50	35C	107-60	Click Pin Spring	.35
	7-4FR	Metal Drag Washer	5.50	41	41-2.5FR	Drag Coil Spring (#1.5)	.75
10	10-2.5FR	Drag Knob	18.50		41-2.5FR	Drag Coil Spring	.75
10A	10A-2.5FR	Retaining Screw	2.00		41-4FR	Drag Coil Spring	.80
14	14-500	Dog Coil Spring (2 req.)	.35	55	55-320	Ball Bearing (Outer)	11.00
15	15-2.5FR	Dog (#1.5) (2 req.)	.90	55A	55A-2.5FR	Bearing Washer	.35
	15-2.5FR	Dog (2 req.)	.90	62	62-2.5FR	Detent Spring (2 req.)	.90
	15-4FR	Dog (2 req.)	1.00	62A	62A-2.5FR	Detent Pin (2 req.)	.90
15B	15B-2.5FR	Dog Bushing (2 req.)	.50	63A	63A-2.5FR	Detent Spring Screw (2 req.)	.90
20	20-2.5FR	Spool Thrust Washer (#1.5)	.35	71	71-1.5FR	Spindle	15.00
	20-2.5FR	Spool Thrust Washer	.35		71-2.5FR	Spindle	17.65
	20-4FR	Spool Thrust Washer	.45		71-4FR	Spindle (#4)	18.65
22	22-2.5FR	Dog Screw (2 req.)	.35	71A	71A-1.5FR	Spindle Stud	15.00
22A	22-2.5FR	Click Housing Screw (2 req.)	.35		71A-2.5FR	Spindle Stud	17.65
23	23-2.5FR	Handle Post Screw	.35		71A-4FR	Spindle Stud	18.65
23A	23A-2.5FR	Counter Balance Screw	.35	71B	71B-2.5FR	Spindle Lock Key	.35
25	25-2.5FR	Handle Knob (#1.5)	3.00	71C	71C-2.5FR	Spindle Screw (3 req.)	.45
	25-2.5FR	Handle Knob	3.00	89	89-2.5FR	Counter Balance (#1.5)	5.25
	25-4FR	Handle Knob	4.00		89-2.5FR	Counter Balance	5.25
26	26-2.5FR	Flange Bearing	11.00		89-4FR	Counter Balance	5.25
26A	26A-2.5FR	Ball Bearing (Inner)	8.00	91	91-2.5FR	G Handle Post (#1.5)	1.35
29	29L-1.5FR	G Spool Assembly (Complete)	134.00		91-2.5FR	G Handle Post	1.35
	29L-2.5FR	G Spool Assembly (Complete)	144.00		91-4FR	G Handle Post	1.35
	29L-4FR	G Spool Assembly (Complete)	154.00	91A	91A-2.5FR	G Handle Post	1.20
30	30-1.5FR	G Stand	15.00	98	98-1.5FR	Drag Washer/Ratchet	13.95
	30-2.5FR	G Stand	16.00		98-2.5FR	Drag Washer/Ratchet	15.95
	30-4FR	G Stand	17.00		98-4FR	Drag Washer/Ratchet	17.95
30A	30A-2.5FR	Stabilizer Bar	.75	183	183-1.5FR	G Frame	80.00
31	31-2.5FR	Stand Screw (2 req.)	.55		183-2.5FR	G Frame	95.00
35A	35A-2.5FR	Click Housing	.45		183-4FR	G Frame	110.00

NOTE: To order parts for a Gold International Fly Reel, be sure to order parts with "G" suffix.
 To order parts for a Black International Fly Reel, omit "G" suffix from part number.
 Schematic view shows parts oriented for right hand drive.